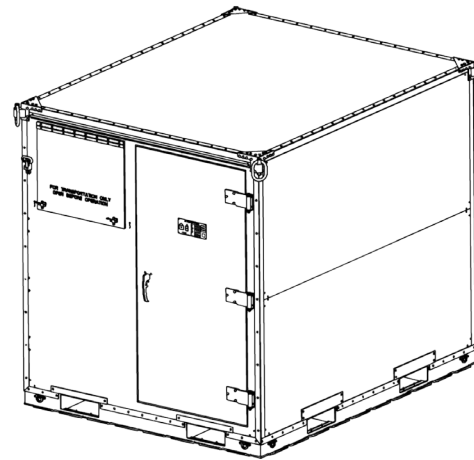


SAMS shown deployed with ECU



SAMS shown stowed with ECU

P/N	NSN	COLOR	GSA	DLA
58100-001	8145-01-486-2409	GREEN	•	
DIMENSIONS				
EXTERIOR	88"W X 108"L X 91.38"H or 96.25"H			
INTERIOR	80.6"W X 100.6"L X 81.65"H or 86.5"H			
TARE WEIGHT	PAYLOAD CAPACITY	MAXIMUM WEIGHT		
3,000 lbs.	7,000 lbs.	10,000 lbs.		
POWER	120-208VAC/3PH/60A/60Hz			
ECU	24K BTU-Cool/18K BTU-Heat/Slide In/Out			
FLOORING	Aluminum Tread Plate			
SHORE POWER	25-ft. Shore Power Cable			



SAMS shown with ECU unit in operational mode



Interior view of SAMS shown with optional cabinets and shelving

FEATURES

- Environmentally controlled shelter designed for multiple uses
- Sized for transport on most cargo aircraft
- Immediate ready-for-action status upon deployment
- Lightweight, clean, environmentally controlled space with a securable single-entry door
- Can be custom designed and equipped with shelves, racks, specialized lighting and dehumidification equipment
- See Standard Shelter Features starting on page 3.2.1
- See Shelter Accessories starting on page 3.5.1

For more information or for a single part number for a customized shelter, call 800-355-2015