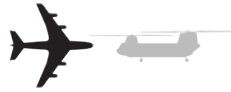


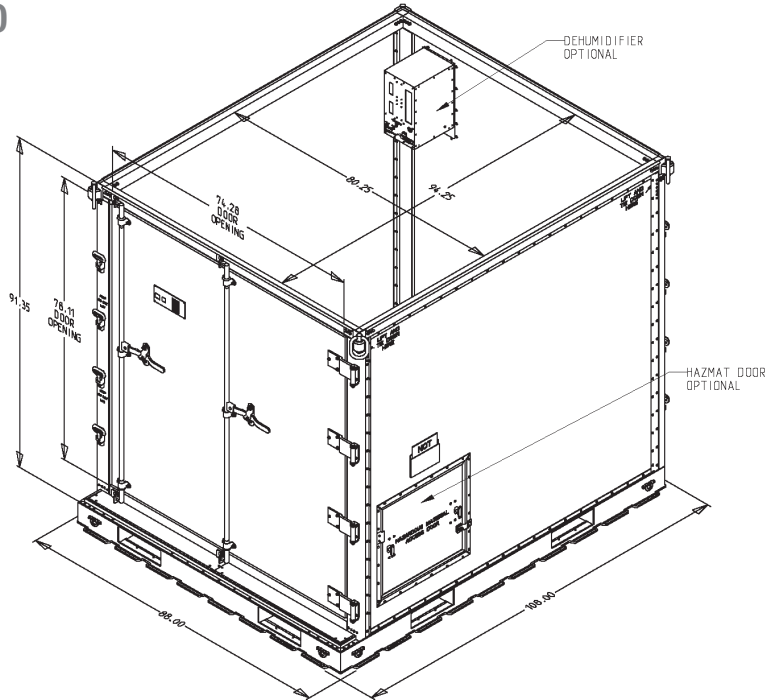
# ISU® 90TEO 1-DOOR

Internal Airlift/ Helicopter Slings  
Container Unit (ISU®)



ISU® 90TEO 1-DOOR

One example of an ISU® container configuration (ISU®'s can be customized to meet your specifications)



P/N	NSN	COLOR	GSA	DLA
*56166-000		GREEN	•	
*56266-000		TAN	•	
DIMENSIONS				
EXTERIOR	88"W X 108"L X 91.35"H			
INTERIOR	385 cu.ft.			
WEIGHT	PAYLOAD CAPACITY	MAXIMUM GROSS WEIGHT		
1,500 lbs.	5,000 lbs.	6,500 lbs.		

\*Above part numbers are for containers only; no accessories



## FEATURES

- One door on one 88" side
- Door has dual lock rods
- Designed without center wall to accommodate a weapons room
- our-way forkliftable
- Intermodal - transportable by air, land, sea or rail
- Stackable two-high when loaded with up to 10,000 lbs. or empty
- Compatible with standard military transport vehicles/equipment 2.5-ton and 5-ton - FMTV, LMTV, HEMTT, Flatrack, CROP, etc.
- Base pre-drilled for optional caster set
- Ready for use with low or high-speed mobility wheel set
- All aluminum extruded, mechanically fastened pallet base certified not to damage aircraft roller systems
- Winching rings located at every lower corner
- Retractable folding steps for easy roof access for sling hookup
- See Military Certifications starting on page 2.1.4
- See Optional Kits starting on page 2.5.1
- See Optional Accessories starting on page 2.6.1

For more information or for a single part number for a customized ISU® Container, call 800-355-2015