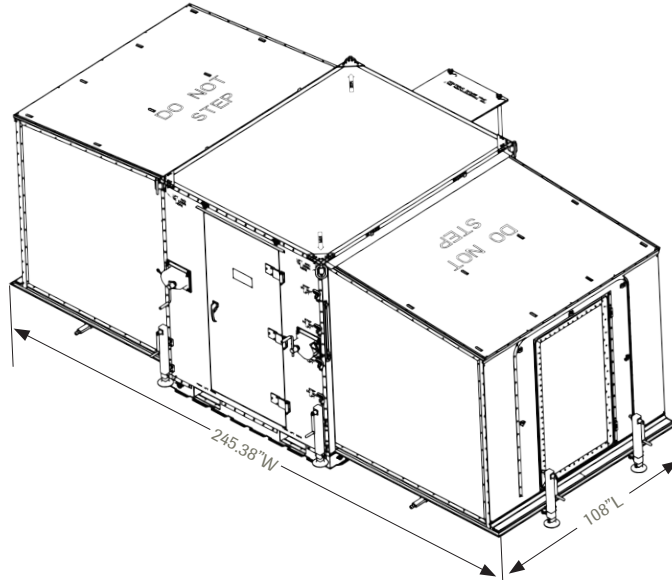
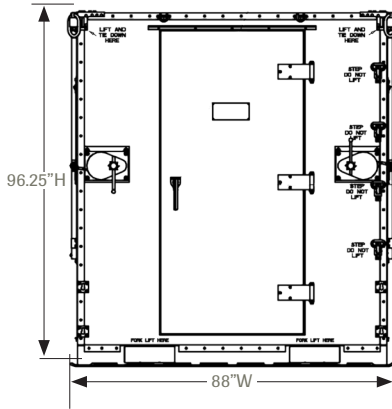
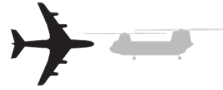


## Hardside Expandable Small Air Mobile Shelter



P/N	NSN	COLOR	GSA	DLA
58205-003-A03		GREEN		
58205-003-A07		TAN		
DIMENSIONS				
STOWED EXTERIOR	88"W X 108"L X 96.25"H			
STOWED INTERIOR	68"W X 100.6"L X 86.5"H			
DEPLOYED EXTERIOR	245.38"W X 108"L X 96.25"H			
DEPLOYED INTERIOR	243"W X 95"L X 86.5"H			
TARE WEIGHT	PAYLOAD CAPACITY	MAXIMUM WEIGHT		
4755 lbs. (58205-003)	5,245 lbs.	10,000 lbs.		
<b>RAMP</b>	58205-204-B02			
<b>POWER</b>	120-208VAC/3PH/60A/60Hz			
<b>ECU</b>	36K BTU-Cool/18K BTU-Heat/Slide In/Out			
<b>FLOORING</b>	Aluminum Tread Plate			
<b>SHORE/SLAVE POWER</b>	Both 60A/50-ft. Long			



HESAMS (58205-003) shown stowed

### FEATURES

- Hardsided 3-in-1 expandable version of our 1-pallet-position Small Air Mobile Shelter (SAMS)
- Climate-controlled workspace for a variety of missions
- Wing-walls of closed container fold down to serve as floors in expanded mode
- Side "rooms" enclosed within durable aluminum skin, foam and beam walls and ceiling
- Two people can deploy in less than 15 minutes
- Can be transported on and off road via trailer and wheel set using commercial pick up trucks
- See Shelter Accessories on page 3.5.1

### APPLICATIONS

- Mobile space for administrative, security, and C4I functions
- Maintenance and repair functions
- Medical clinics and laboratories
- Parts storage and distribution



HESAMS (58205-003) expanded to full size showing front personnel door, treadplate flooring, and ramp

For more information or for a single part number for a customized shelter, call 800-355-2015