

ISU[®] Mobility Caster Sets

For ISU Containers &
Air Cargo Pallets.



An ISU-90 Container with the ISU
Mobility Caster Set attached.

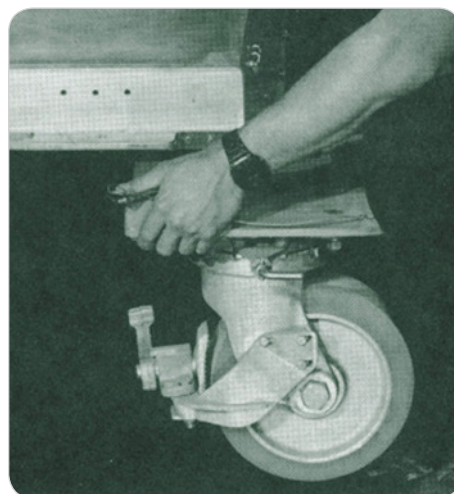
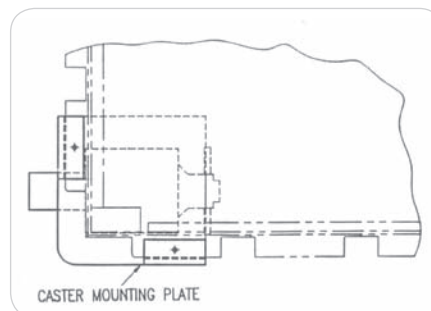
P/N: 60037-001
NSN: 8145-01-384-9260

Capabilities:

- Provides maximum versatility for moving containers/pallets
- Provides total mobility at warehouse, flightline & bare-base operations
- Provides easy loading and unloading for CH-47 HICHS and other aircraft equipped cargo-handling systems including rollerized vehicle loading ramps
- Eliminates the need for forklift vehicles

Features:

- Caster set includes 4 wheel assemblies
- Caster set is capable of moving up to 12,000 lbs.
- Casters are attached with quick-release pins
- Each wheel assembly weighs approx. 47 lbs.
- Shipping weight for a complete set of casters is approx. 240 lbs.



ISU Mobility Caster Sets

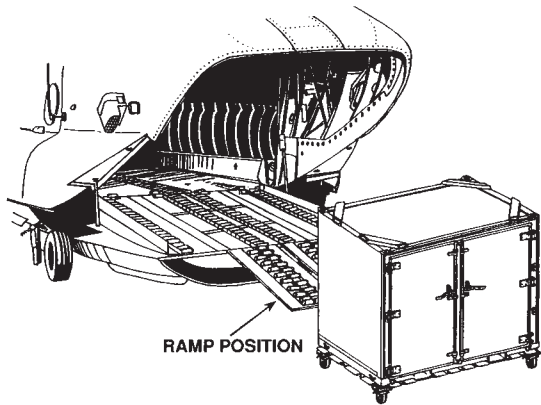
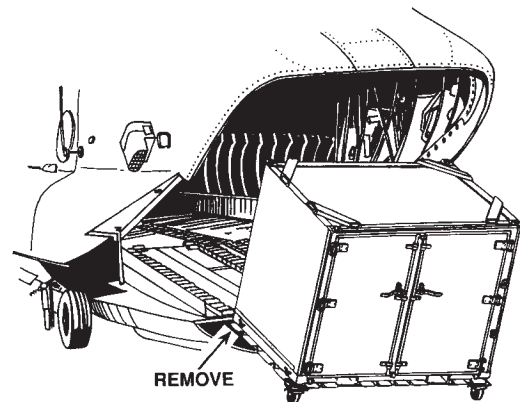


Illustration Using The Caster Set

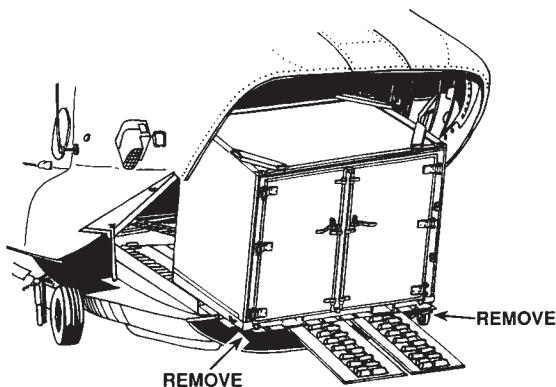
Step 1:

Position the caster equipped ISU containers at the rear of HICHS-equipped CH47. Position auxiliary loading ramp between casters.



Step 2:

Winch the ISU Container onto the ramp until the forward caster wheels are elevated off the ground. Remove the quick-release pins and detach the two forward casters.



Step 3:

With the two forward wheels removed, continue winching the container into the aircraft until the rear caster wheels are elevated. Remove the quick-release pins and detach. Continue to winch the container into the aircraft and secure in place.

(Unloading is reverse of loading)