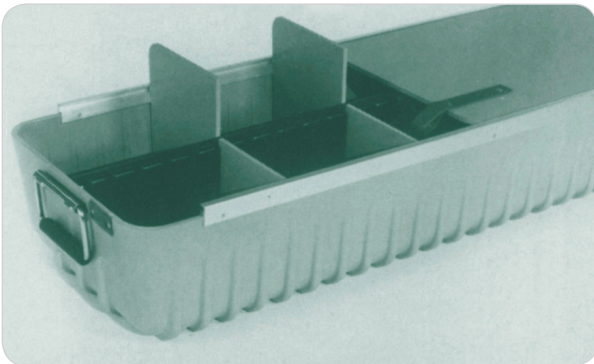


ISU[®] Storage Trays 5-Inch



5" tray - standard configuration.

P/N: 50070-000 - with lid, empty
NSN: 8145-01-390-4411

P/N: 50070-001 - with lid, includes one full length partition (50070-102) and eight 1/2 width partitions (50070-202)
NSN: 8145-01-429-4964

Capabilities:

- Allows for maximum protection and space utilization of the ISU Container
- Easy access, with removable partitions
- Full sliding lid for access to stored parts
- Partitions may be reconfigured for storage of various sized items
- Tray can be filled with foam to protect fragile items (Note part #207)

Features:

- Size 41-1/4" L overall x 13-3/4" W x 5" D
- Velcro closure strap to secure lid
- Trays may be stored on any type of shelf in the ISU shipping and storage containers
- Carrying handle on each end of tray
- Lightweight and durable
- Provides multiple configurations with or without partitions for storage of different sized items
- Weight: 31 lbs.
- Maximum tray capacity is 250 lbs.

Provides Maximum Protection, Organization & Simplicity For Storage Of Small Parts

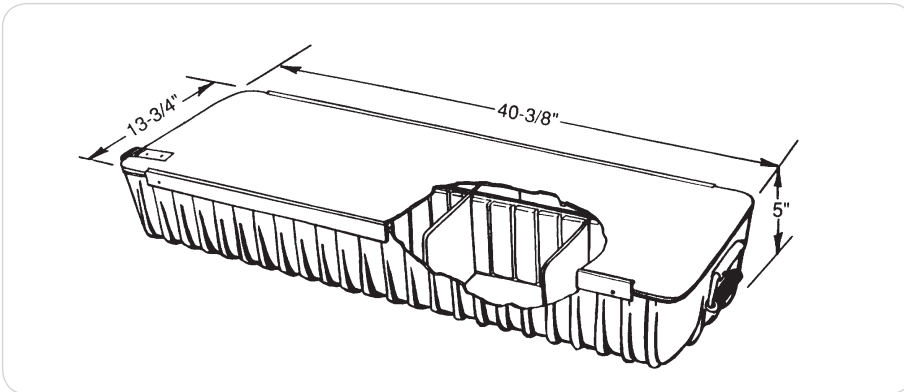


5" tray with cover to prevent spillage of stored parts.

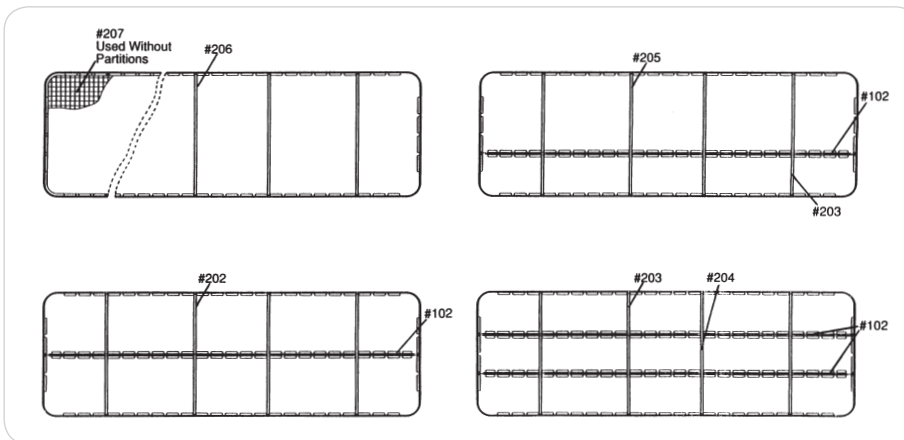


ISU-90 with 5" tray assembly (right side).

ISU Storage Trays 5-Inch



5" tray - shown with partitions.



5" tray - view into tray
- cover removed.

Available Tray Partition Options - 5"

Description

- 5" Tray Empty with cover
- 5" Standard Tray with dividers
- Full Length Partition
- 1/2 Width Partition
- 1/3 Width Side Partition
- 1/3 Width Center Partition
- 2/3 Width Side Partition
- Full Width Partition
- One Inch Diced Polyurethane Foam
- Polyurethane Foam, Anti-static

Part Number

- 50070-000
- 50070-001
- 50070-102
- 50070-202
- 50070-203
- 50070-204
- 50070-205
- 50070-206
- 50070-207
- 50070-307

NSN

- 8145-01-390-4411
- 8145-01-429-4964
- 8145-01-385-7485
- 8145-01-385-7500
- 8145-01-390-1349
- 8145-01-390-1346
- 8145-01-390-1347
- 8145-01-390-1348
- 8145-01-394-3467
- 8145-01-394-5734